

TUMBLE DRYER TD62

INSTRUCTION BOOKLET

WARNINGS

It is most important that this instruction book should be retained with the appliance for future reference. Should the appliance be sold or transferred to another owner, or should you move house and leave the appliance, always ensure that the book is left with the appliance in order that the new owner can get to know the functioning of the appliance and the relevant warnings.

These warnings are provided in the interest of safety. You MUST read them carefully before installing or using the appliance.

- Always switch off and unplug the appliance after use.
- Any electrical work required to install this appliance should be carried out by a qualified electrician or competent person.
- This appliance is designed to be operated by adults. Children should not be allowed to tamper with the controls or play with the product.
- This product should be serviced by an authorised Zanussi Service Force Centre, and only genuine Zanussi spare parts should be used.
- It is dangerous to alter the specifications or modify this product in any way.
- Care must be taken to ensure that the appliance does not stand on the electrical supply cable.
- Do not overload the appliance.
- Never tumble dry items that have had contact with chemicals such as dry cleaning fluid. These are of a volatile nature and could cause an explosion.
- Clothes which are dripping wet, should not be placed in the dryer. Always load well spun laundry. The higher the spin speed the lower the electricity consumption and the shorter the drying times.
- The **back** of the appliance, becomes very hot during the drying cycle. Keep children away from the appliance when it is in operation.
- Leave the porthole door slightly ajar when not in use, to preserve the door seal.
- The fluff filter **MUST** be cleaned after every use.
- Do not operate the appliance with a damaged filter or with no filter at all, as this may cause a fire.
- Zanussi tumble dryers are designed to be vented through to the open air. The appliance should have its own ventilation system which should not be joined with any other ventilation system connected to any other appliance.
- In order to prevent the appliance from overheating, it is important that the air inlet louvres are not obstructed.
- Pets or children have been known to climb into tumble dryers. Check your drum before use.
- The users should always check that they have not left their gas lighters (disposable or otherwise) in their clothing.
- The packing materials used are marked with the symbol ♻ are recyclable. Check with your local Council or Environmental Health Office to see if there are facilities in your area for re-cycling.
- Under no circumstances should you attempt to repair the machine yourself. Repairs carried out by inexperienced persons may cause injury or serious malfunctioning. Refer to your local Zanussi Service Force Centre. Always insist on genuine Zanussi spare parts.

CONTENTS

Warnings	Page 1
Specifications	Page 3
General Features	Page 4
Installation	Page 5
The Electrical Connections	Page 6
The Controls	Page 7
Drying Times	Page 8
Drying 3KG (7lb) Of Cotton	Page 9
Drying 1.5KG (3.5lbs) Of Synthetics	Page 10
Hints On Drying	Page 11
Maintenance And Cleaning	Page 12
Servicing	Page 13
Peace Of Mind For Twelve Months	Page 14

SPECIFICATIONS

Dimensions: TD62

Height: 68cm

Width: 50cm

Depth: 53cm

Weight: 28kg

Capacity: **Cotton** 3.2kg
Synthetics 1.5kg

Total Power

Absorbed: 2.2kw

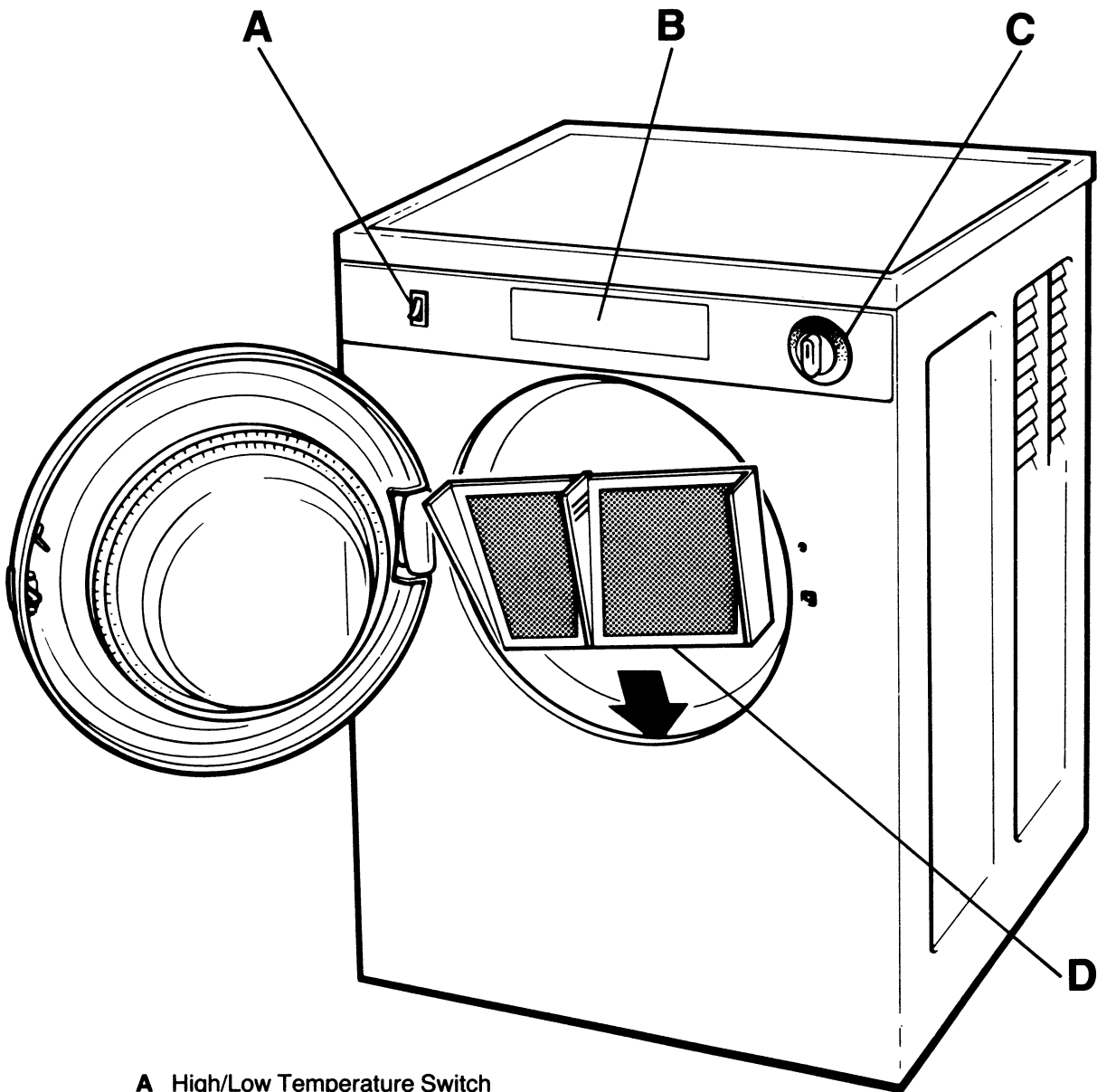
Voltage: 240V

Frequency: 50Hz

Energy

Consumption: 2.5kwh

GENERAL FEATURES



- A** High/Low Temperature Switch
- B** Programme Chart
- C** Time Selection Dial
- D** Lint Filter

INSTALLATION

Positioning

It is recommended that, for your convenience, the tumble dryer is positioned close to your washing machine. A wall bracket is available to enable you if required, to attach the dryer to the wall. This can be obtained from your local Zanussi Service Force Centre.

Whilst drying, the tumble dryer will expel a certain amount of warm, very moist air, and this should be removed from the room as quickly as possible to prevent condensation. In an extremely well ventilated room or close to an open window, this may occur naturally. However, in general, it is better to carry the dryer's 'exhaust' outside via a length of 100mm diameter flexible trunking (available as an optional extra from your local Zanussi Service Force Centre); ending either temporarily at an open window, or permanently at a fixed ventilation grille, fitted to an exterior wall or window.

Fitting The Trunking

There is a vent outlet at the back of the appliance. One end of the flexible trunking is fitted with an adaptor which clips into the vent outlet (see Fig. 1).

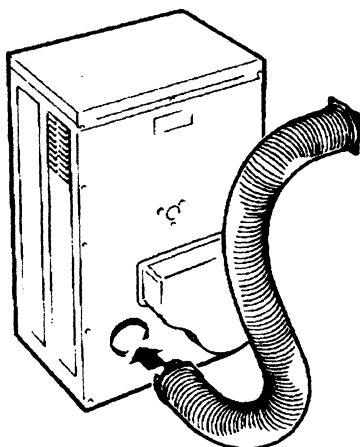


Fig. 1

Once connected to the dryer, run the trunking to the desired outlet point, ensuring that the run's overall length is less than 2m, and that it contains no more than two bends. As to the outlet itself, if you have decided on a fixed wall/window grille, a venting kit is available from your local Zanussi Service Force Centre.

It is important NOT to connect the trunking to, for example, a cooker hood, chimney or flue pipe designed to carry the 'exhaust' from a fuel burning appliance.

To avoid condensation problems, it is essential that the dryer be fitted with flexible trunking to carry its 'exhaust' at least beyond the kitchen units; preferably outside the kitchen.

Levelling

The appliance is provided with two feet located at the front, and two rear castors for easy movement.

To keep vibration and noise to a minimum when the dryer is in use, you must ensure that the feet and rear castors are in contact with a level floor.

ELECTRICAL CONNECTIONS

WARNING: THIS APPLIANCE MUST BE EARTHED.

The manufacturer declines any liability should this safety measure not be observed.

If the plug that is fitted to the appliance is not suitable for your socket outlet, it must be cut off, and the appropriate plug fitted.

Remove the fuse from the cut off plug. The plug should then be disposed of to prevent the hazard of electric shocks, if it should be plugged into a 13 Amp socket in another part of your home.

Important

The wires in this mains lead are coloured in accordance with the following code:

Green and Yellow	- Earth
Blue	- Neutral
Brown	- Live

If you fit your own plug, the colours of the wires in the mains lead may not correspond with the markings identifying the terminals in your plug. To fit the plug proceed as follows:

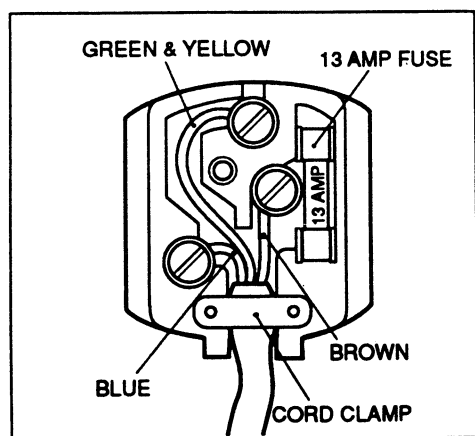


Fig. 2

Connect the green and yellow (earth) wire to the terminal in the plug which is marked with the letter 'E' or the earth \perp symbol, or coloured green and yellow.

Connect the blue (neutral) wire to the terminal in the plug which is marked with the letter 'N' or coloured black.

Connect the brown (live) wire to the terminal in the plug which is marked with the letter 'L' or coloured red.

There is a fuse incorporated into the moulded plug. When necessary this should be replaced by a 13 Amp BS 1362 fuse. Only ASTA or BSI approved fuses should be used. The fuse cover/carrier must be replaced if the fuse is changed. The correct fuse cover/carrier is shown by the coloured insert at the base of the plug.

The plug must not be used if the fuse cover/carrier is lost. A replacement cover/carrier can be obtained from your local Zanussi Service Force Centre, whose address and telephone number can be found in the Customer Care Booklet which accompanies your instruction booklet.

Avoid connecting the tumble dryer to the same socket as your washing machine (or any other appliance) by means of an adaptor. Have an extra socket installed if necessary, by a qualified electrician.

This appliance complies with E.E.C. Directive no 87/308 of 2.6.87 relative to radio interference suppression.

Note

Installation, and, in particular, connection to the electric mains and to the discharge vent must be carried out by a competent person or qualified electricians.

- * Please ensure that when the appliance is installed it is **easily accessible** for the engineer, in the event of a breakdown.

THE CONTROLS

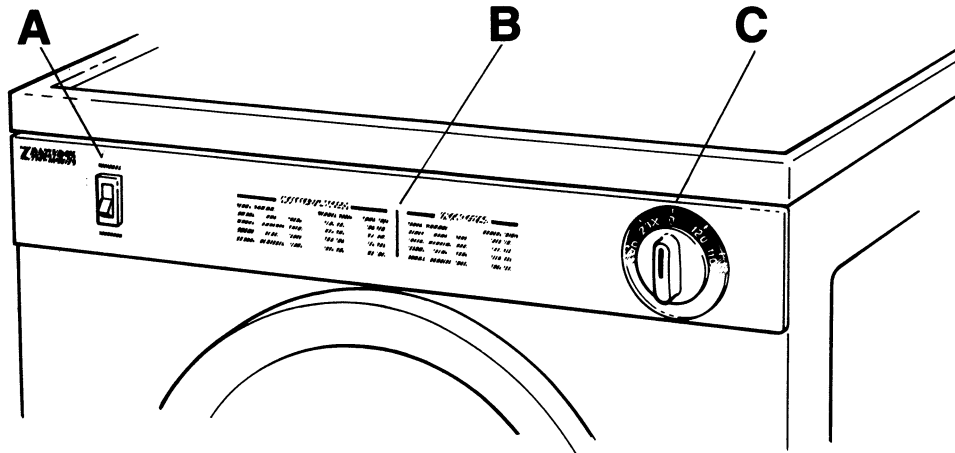


Fig. 3

- A Temperature Switch
- B Programme Chart
- C Time Selector Dial

A Temperature Switch

Press the top of the switch for a high temperature setting, press the bottom of the switch for a low temperature setting.

Use the high temperature range for drying cottons and linens, and use the low temperature range for drying synthetics and delicates.

B Programme Chart

This will help you select the correct programme or time for drying.

C Time Selector Dial

The selector dial is marked with times in minutes. To set the machine to the selected time, turn the dial clockwise until the time you want coincides exactly with the marker, see Fig. 3.

The dial can be turned anticlockwise to shorten the programme if necessary. Do not force the dial beyond the off position.

Lint Filter

Place the filter in its operating position as shown on the 'General Features' page 4.

Selecting The Drying Time

To select a programme, select the drying time according to the suitability of the fabric. The programme guide is designed to help you.

The compact dryer has a drying time of up to 120 minutes. This can be extended when the original programme is completed, by re-setting the control knob for a further period of drying.

The door of the machine can be opened at any time during the programme if you want to feel the dryness of the fabrics. It is a mistake to allow the fabric to become too dry as this gives it a rough feel.

It is better to select too short a time and then set the dial for a further period if necessary.

Remember that the last 12 minutes of the operation, the heat is cut off in order to carry out a fabric cooling phase, which prevents any creasing or crumpling of the fabrics - if you do select extra drying time, 15 minutes would be the minimum.

DRYING TIMES

Cotton and Linen Selector Dial: up to 120 minutes (high temperature range)

DEGREE OF DRYING REQUIRED AND LABELS ON ARTICLES	DEGREE OF SPIN GIVEN	QUANTITY	SELECTOR DIAL SETTING
STORE DRY	500 rpm	3.2kg (7lbs)	120 mins
	800/1000 rpm		110 mins
	2800 rpm (spin dryer)		80 mins
	500 rpm	1.5kg (3.5lbs)	100 mins
	800/1000 rpm		80 mins
	2800 rpm (spin dryer)		60 mins
IRON DRY	500 rpm	3.2kg (7lbs)	100 mins
	800/1000 rpm		80 mins
	2800 rpm (spin dryer)		60 mins
	500 rpm	1.5kg (3.5lbs)	80 mins
	800/1000 rpm		60 mins
	2800 rpm (spin dryer)		40 mins

Synthetics Selector Dial: up to 80 minutes (low temperature range)

STORE DRY	500 rpm	1.5kg (3.5lbs)	60 mins
	800/1000 rpm		50 mins
	2800 rpm (spin dryer)		40 mins
	500 rpm	.45kg (1lb)	40 mins
	800/1000 rpm		30 mins
	2800 rpm (spin dryer)		20 mins

If the laundry is spin-dried in a washing machine at less than 500 rpm, the residual dampness will be higher and consequently the drying time should be increased.

This applies particularly to laundry consisting primarily of towels.

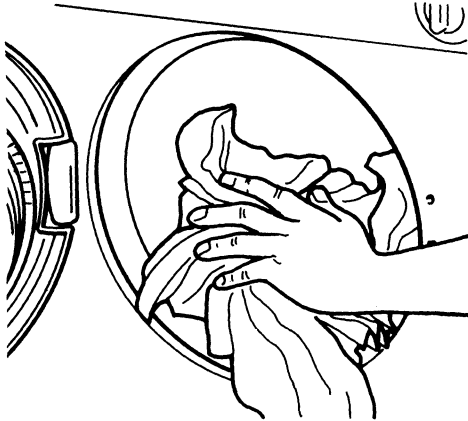
If the laundry is spin-dried at more than 1200 rpm, the residual dampness will be lower and consequently the drying time should be decreased.

DRYING 3KG (7LB) OF COTTON

You have for example just machine-washed and spun at 1200 rpm 3kg (7lb) of laundry.

They are cotton fabrics of medium weight which you want to iron as soon as they are dried.

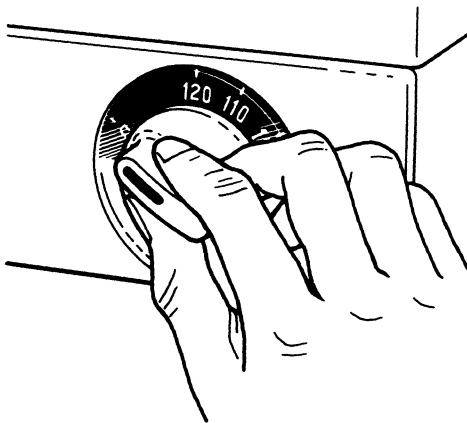
1. Load The Laundry



Open the door by pulling it outward.

Load the items one at a time, shaking them out loosely and close the door.

2. Select Time And Start The Machine



Following the indications given in the drying times chart, depress the High/Low Temperature Switch to 'High' and turn the selector dial clockwise until the time you require coincides with the green marker (at the top of the dial).

The dryer starts to work.

3. When Drying Is Completed

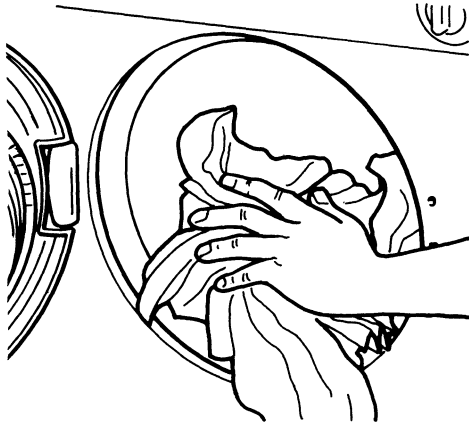
The machine stops automatically. If the laundry is still too damp, select a further brief drying time, bearing in mind that during the last 12 minutes the dryer carries out the cooling and anti-crease treatment phase.

Clean the filter after every drying programme. A clean filter ensures correct functioning of the appliance.

DRYING 1.5KG (3.5lbs) OF SYNTHETICS

You have for example just machine-washed and briefly spun 1.5kg (3.5lbs) of synthetics which do not need ironing.

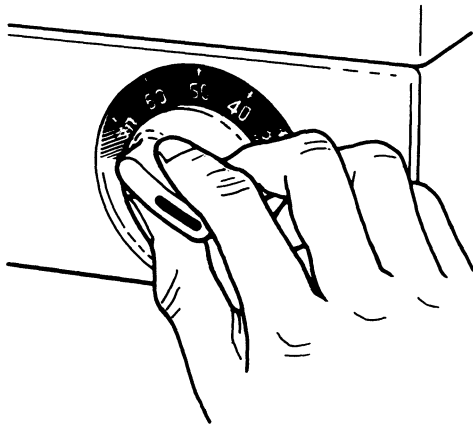
1. Load The Laundry



Open the door by pulling it outward.

Load the items one at a time, shaking them out loosely and close the door.

2. Select Time And Start The Machine



Following the indications given in the drying times chart, depress the High/Low Temperature Switch to 'Low' and turn the selector dial clockwise until the time you require coincides with the green marker (at the top of the dial).

The dryer starts to work.

3. When Drying Is Completed

The machine stops automatically. If the laundry is still too damp, select a further brief drying time, bearing in mind that during the last 12 minutes the dryer carries out the cooling and anti-crease treatment phase.

Clean the filter after every drying programme. A clean filter ensures correct functioning of the appliance.

HINTS ON DRYING

Do **NOT** overload the appliance.

Here is a list of the average most common laundry items according to an approximate basis.

Sheet	700 to 100g
Pillowcase	100 to 200g
Tablecloth	400 to 500g
Table Napkin	50 to 100g
Kitchen Towel	70 to 120g
Linen Hand Towel	100 to 150g
Hand Towel	150 to 250g
Bath Towel	700 to 1000g
Bathrobe	100 to 1500g
Shirt	200 to 300g
Apron	150 to 200g

However, the best and most economical load is the maximum indicated for the different types of fabric.

- Always load well spun laundry. The higher the spin speed the lower the electricity consumption and the shorter the drying times.
- Do not leave the damp laundry load in a heap too long before drying.
- Sort the laundry out: Separate synthetics from cotton and linen and dry them separately.
- Close poppers and zips and fasten any buttons found loose.
- Do not use the tumble dryer to dry the following:
 - Dry-cleaned fabrics or fabrics cleaned with chemical solvents.
 - Woollen garments and those manufactured from synthetic/wool mixtures of the heat-shrinkable type.
 - Very delicate articles such as silk and curtains made of synthetic material.
 - Foam-rubber articles.
 - Fibre-glass articles.
- In some cases labels on articles may also be of help.

Vigorous Drying 

Delicate Drying 

Do NOT Tumble Dry 

- Avoid drying dark clothes with light coloured fluffy items such as towels as they could attract the fluff.
- If you overdry the laundry, besides wasting energy, any subsequent ironing may become more difficult because the fabric could be heavily crumpled.
- Remove the laundry when the dryer has finished drying.
- To avoid a static charge when drying is completed, use either a fabric softener when you are washing the laundry or a fabric conditioner specifically for tumble dryers.
- When you have finished tumble drying do not forget to clean the filter. **If the filter is dirty, drying times are increased considerably and consequently energy consumption is also increased.**

MAINTENANCE AND CLEANING

Important

Before carrying out any cleaning or maintenance work, you must **DISCONNECT** the appliance from the electricity supply.

External Cleaning

Use only soap and water and then dry thoroughly.

From time to time, apply a little wax furniture cream with a soft cloth.

Important

Do **NOT** use methylated spirit, dilutents or similar products.

Cleaning The Door

Clean periodically the interior part of the door to remove any fluff. Accurate cleaning ensures correct drying.

Cleaning The Filter

Your dryer will only function well if the filter is clean.

The filter collects all the 'fluff' which accumulates during drying and it must therefore be removed and cleaned at the end of each programme.

To remove the filter, open the door and lift the filter up and out.

It is perfectly normal for fluff to accumulate in the filter during drying. In fact, even fabrics dried in the open air lose their fibres, but we do not notice it.

SERVICING

Before contacting your local Zanussi Service Force Centre, please make the following checks:

PROBLEM	CAUSE	SOLUTION
The dryer does not start	* The door is open	* Close the door.
	* The plug is not fitted into the wall socket	* Fit the plug into the wall socket.
	* There is no electricity supply from the wall socket	* Replace the fuse if it has blown. * Contact a qualified electrician.
	* The programme selector dial is not set correctly.	* Turn the dial to the time required.
	* The machine does not start.	* Check that the door is closed properly.
The dryer does not dry properly	* The filter is clogged.	* Clean the filter after each drying operation
	* Insufficient drying time.	* Carry out an extra drying phase.
	* Excessive laundry load.	* Reduce the laundry load.
	* The dryer is not correctly installed.	* Check to see installation is in accordance with instructions (see page 5).

If after the above checks, there is still a fault, call your nearest Zanussi Service Force Centre, whose address and telephone number can be found in the Customer Care Booklet which accompanies your instruction book.

Please make sure you give the model and serial number of the appliance. This information can be found on the rating plate, or on the guarantee certificate. Original spare parts can be purchased from Zanussi Service Force Centres.

In-guarantee customers should ensure that the above checks have been made as the engineer will make a charge if the fault is not a mechanical or electrical breakdown.

- * **Please note that proof of purchase is required for any in-guarantee service calls.**

Service Details - Adhesive Label

When you return your guarantee card to Zanussi Ltd., you will receive a 'Appliance Guarantee And Maintenance Record' together with an adhesive label. The label can be adhered to the machine or adjacent furniture

PEACE OF MIND FOR TWELVE MONTHS

Zanussi Guarantee Conditions

This guarantee is in addition to your statutory and other legal rights which will not be excluded or in any way diminished by the return of this guarantee card.

We, Zanussi Ltd., undertake that if, within twelve months of the date of the purchase, this ZANUSSI appliance or any part thereof is proved to be defective by reason only of faulty workmanship or materials, we will, at our option, repair or replace the same **FREE OF ANY CHARGE** for labour, materials or carriage on condition that:

- The appliance has been correctly installed and used only on the electricity supply stated on the rating plate.
- The appliance has been used for normal domestic purposes only, and in accordance with the manufacturer's operating and maintenance instructions.
- The appliance has not been serviced, maintained, repaired, taken apart or tampered with by any person not authorised by us.
- The appliance is still in the possession of the original purchaser.

All service work under this guarantee must be undertaken by a Zanussi Service Force Centre.

Home visits are made between **8.30am** and **5.30pm** Monday to Friday. Visits may be available outside these hours in which case a **premium** will be charged.

Any appliance or defective part replaced shall become our property.

Exclusions

This guarantee does not cover:

- Damage or calls resulting from transportation, improper use or neglect, the replacement of any light bulbs or removable parts of glass or plastic.
- Costs incurred for calls to put right machines improperly installed or calls to machines outside the UK and the Republic of Ireland.
- Appliances found to be in use within a commercial or similar environment, plus those which are the subject of rental agreements.
- Products of Zanussi manufacture which are NOT marketed by Zanussi Ltd.
- EEC Countries - The standard guarantee is applicable but subject to the owner's responsibility and cost to ensure the appliance meets the standards set by the country to which the product is taken. The Zanussi company in the country concerned will be pleased to advise further. Sight of your purchase receipt will be required by them.

ZANUSSI

Zanussi Ltd., Zanussi House, Newbury